

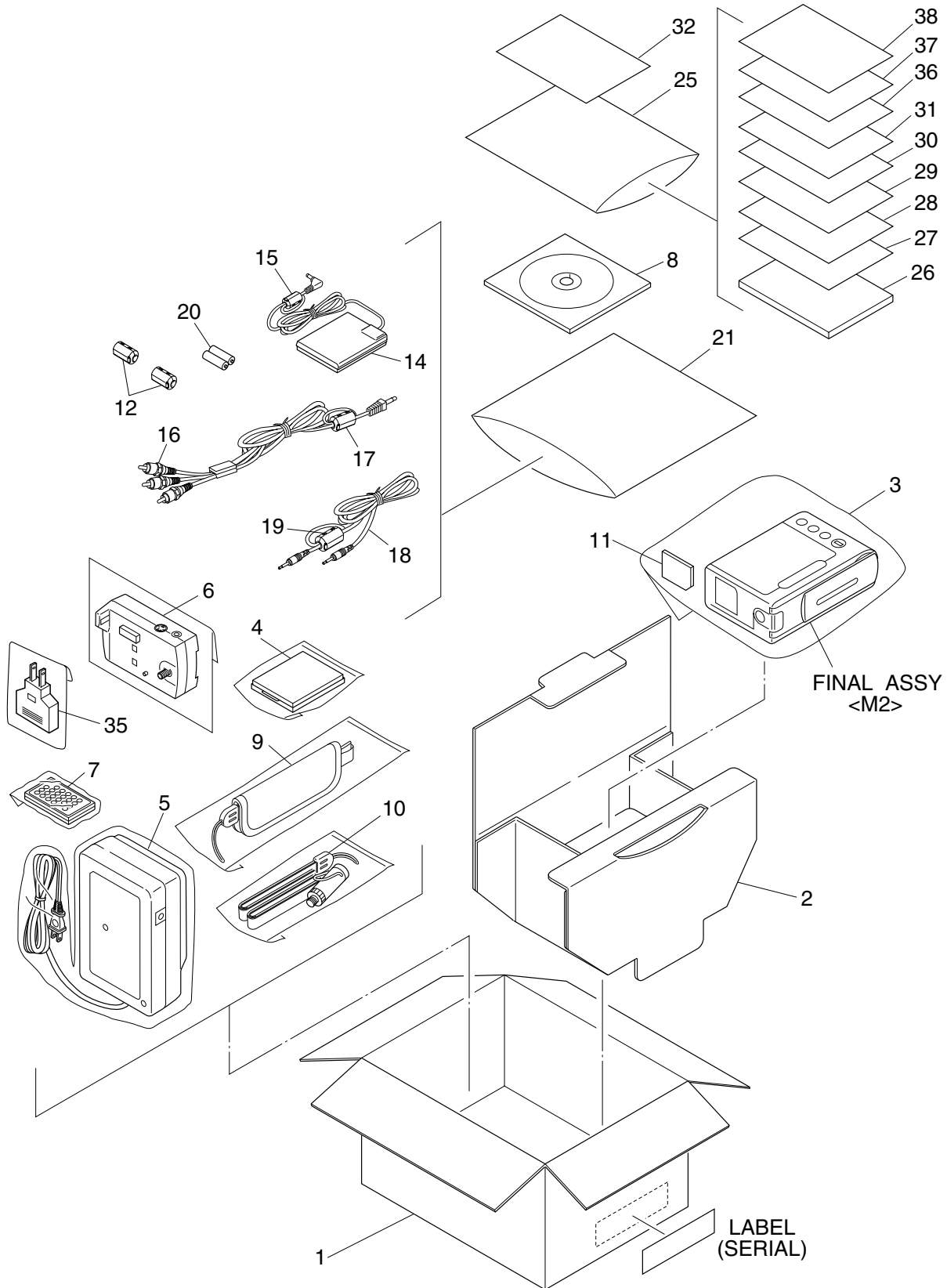
SECTION 5 PARTS LIST

SAFETY PRECAUTION

Parts identified by the ⚠ symbol are critical for safety. Replace only with specified part numbers.

5.1 PACKING AND ACCESSORY ASSEMBLY <M1>

The instruction manual to be provided with this product will differ according to the destination.



△ REF No. PART No. PART NAME, DESCRIPTION

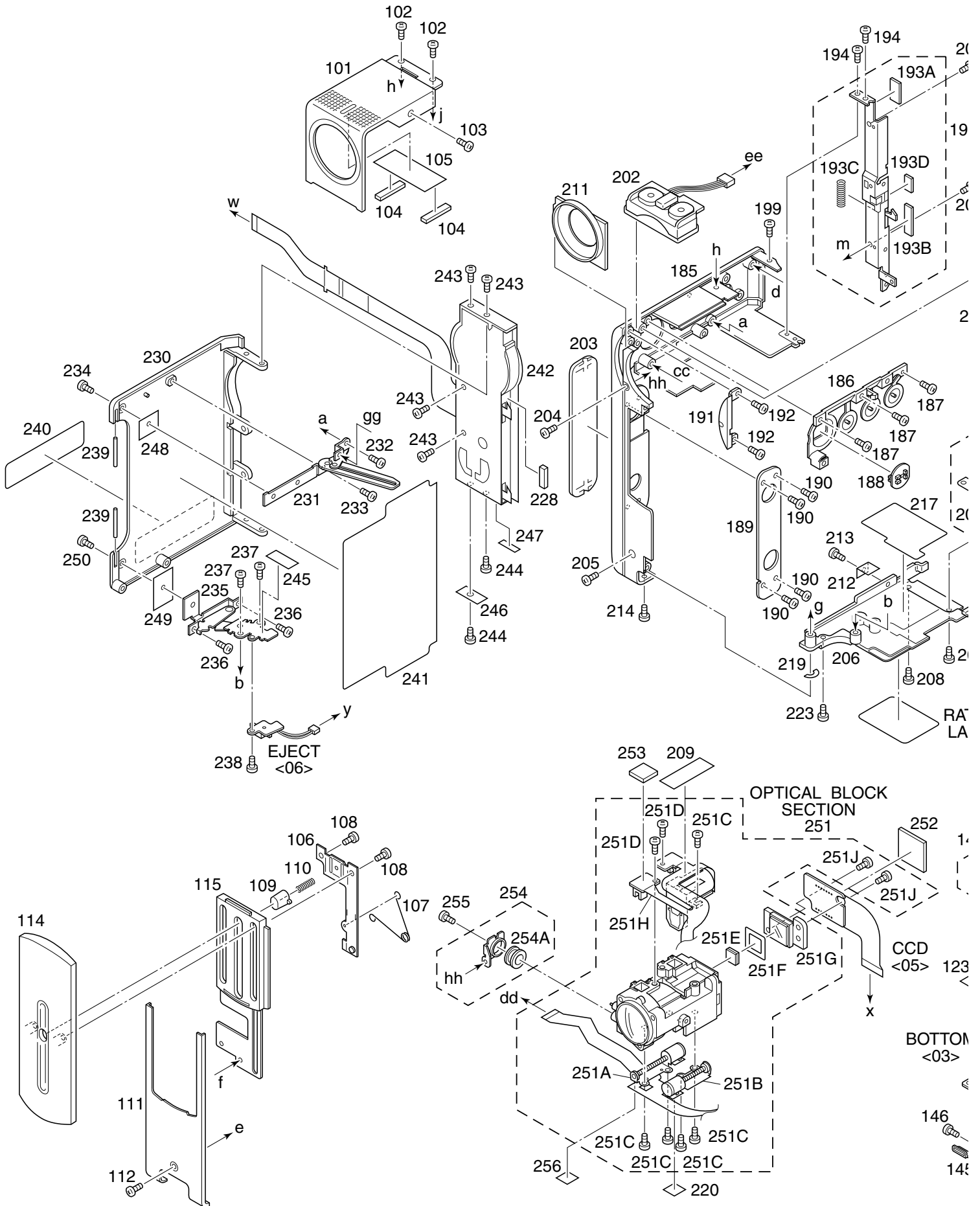
PACKING AND ACCESSORY ASSEMBLY <M1>

1	LY32303-005A	PACKING CASE,D
	LY32303-006A	PACKING CASE,E,F
	LY32303-007A	PACKING CASE,A
	LY32303-008A	PACKING CASE,B,C
2	LY20763-001A	CUSHION
3	LY30023-003A	POLY BAG
△ 4	LY32203-001A	BATTERY PACK,BN-V107U,B,C,D
△	LY32203-003A	BATTERY PACK,BN-V107U,A,E,F
△ 5	LY20754-005A	AC POWER ADAPTER/CHARGER,AA-V100EA,D
△	LY20754-006B	AC POWER ADAPTER/CHARGER,AA-V100ED,E
△	LY20754-007A	AC POWER ADAPTER/CHARGER,AA-V100SH,F
△	LY20754-008A	AC POWER ADAPTER/CHARGER,AA-V100A,A
△	LY20754-009A	AC POWER ADAPTER/CHARGER,AA-V100A-S,B,C
6	LY20755-003A	DOCKING STATION,CU-V507U
7	LY20750-001A	REMOTE CONTROL UNIT,RM-V717U
8	LY32210-004A	CD ROM
9	LY20762-001B	GRIP BELT
10	LY20765-001B	STRAP
11	QAM0342-002	MEMORY CARD
12	QQR0491-002	CORE FILTER,X2
14	LY32226-001A	DC CORD,B,C,D
	LY32226-002A	DC CORD,A,E,F
15	QQR0917-002	CORE FILTER
16	QAM0347-001	CABLE ASSY,AUDIO/VIDEO CABLE
17	QQR0918-002	CORE FILTER
18	PEAC0428-150	CABLE ASSY,EDITING CABLE
19	QQR0491-002	CORE FILTER
20	-	BATTERY,AAA(R03),X2
21	QPA01703005	POLY BAG
25	QPA02003506	POLY BAG,A,B,C,E,F
	QPA02003006	POLY BAG,D
△ 26	LYT0844-001A	INST.BOOK(EN)
△	LYT0844-002A	INST.BOOK(GE),A,B
△	LYT0844-003A	INST.BOOK(FR),A,B
△	LYT0844-004A	INST.BOOK(CH),A,B,C,E,F
△	LYT0844-005A	INST.BOOK(RU),A,B,C,E,F
△	LYT0844-006A	INST.BOOK(AR),A,B
△ 27	LYT0761-001B	INST.BOOK(SOFT.EN),D
△	LYT0806-001A	INST.BOOK(SOFT.3LANG),C,E,F
△	LYT0843-001A	INST.BOOK(SOFT.5LANG),A,B
28	LYT0378-003A	SHEET(AGREMENT)
29	LYT0760-004A	SHEET(ATT.)
30	LYT0796-015A	SHEET(CORE)
31	LYT0796-016A	SHEET(ATT.MIC)
32	BT-59011-2	WARRANTY CARD,C,E
	BT-56001-2	WARRANTY CARD,D
△ 35	PEMC1012	CONVERSION PLUG,B,C
△	PEMC1012-02	CONVERSION PLUG,A
△ 36	LYT0609-001A	SHEET(CON.PLUG),A,B,C
37	BT-59012-1	GUARANTY CARD,C,E
38	BT-56002-2	SER.NET CARD,D

- **INSTRUCTIONS**
- EN ENGLISH
- GE GERMAN
- FR FRENCH
- CH CHINESE
- RU RUSSIAN
- AR ARABIC

MODEL	MARK
GR-DVP3A-SL	A
GR-DVP3A-GY	B
GR-DVP3A-GYC	C
GR-DVP3EA	D
GR-DVP3ED	E
GR-DVP3SH	F

5.2 FINAL ASSEMBLY <M2>



△ REF No. PART No. PART NAME, DESCRIPTION

FINAL ASSEMBLY <M2>

101	LY20759-001A	COVER(MIC)
102	LY30018-0A3A	SPECIAL SCREW,X2
103	LY30018-0A2A	SPECIAL SCREW
104	LY30029-0L7A	SPACER(A),X2
105	LY43164-001A	SHEET(MIC)
106	LY43106-001B	SLIDE PLATE(B)ASSY
107	LY43225-001A	TORSION SPRING
108	LY30018-0D2A	SPECIAL SCREW,X2
109	LY32260-001D	KNOB(SHUTTER)
110	LY30002-022A	COMPRESSION SPRING
111	LY32228-001B	COVER(UNDER)
112	LY30018-0A2A	SPECIAL SCREW
114	LY43102-003B	COVER(SHUT)ASSY
115	LY43104-001D	GUIDE(SHUT)ASSY
120	LY32246-001A	COVER(SHOE)
121	LY30018-0A2A	SPECIAL SCREW,X2
122	LY30018-055A	SPECIAL SCREW,B,C,D
	LY30018-070A	SPECIAL SCREW,A,E,F
123	LY30029-0N5A	SPACER(A)
124	LY43196-001A	SHEET(UPEER)
125	LY32292-001D	UPPER CASE ASSY,B,C,D
	LY32292-003C	UPPER CASE ASSY,A,E,F
125A	LY43210-002A	LABEL(UPPER)
126	LY32265-001C	GUIDE(MON),B,C,D
	LY32265-002C	GUIDE(MON),A,E,F
127	LY43126-001D	JACK COVER(DV)ASSY,B,C,D
	LY43126-002C	JACK COVER(DV)ASSY,A,E,F
130	LY43064-001B	KNOB(LOCK) ASSY
130A	LY43081-001A	SHAFT(LOCK)
130B	LY43080-001A	TORSION SPRING(LOCK)
130C	LY43079-001A	BRACKET(LOCK)
131	LY32198-001B	SUB OPE,B,C,D
	LY32198-003B	SUB OPE,A,E,F
132	LY30018-081A	SPECIAL SCREW
133	LY30018-0B7A	SPECIAL SCREW,A,E,F
	LY30018-063A	SPECIAL SCREW,B,C,D
134	LY30018-093A	SPECIAL SCREW,X2,A,E,F
	LY30018-092A	SPECIAL SCREW,X2,B,C,D
135	LY43134-001C	COVER(JIG)ASSY,B,C,D
	LY43134-002C	COVER(JIG)ASSY,A,E,F
135A	LY42350-002A	FOOT
136	LY30018-055A	SPECIAL SCREW,B,C,D
	LY30018-070A	SPECIAL SCREW,A,E,F
137	LY30018-031A	SPECIAL SCREW,X2,B,C,D
	LY30018-032A	SPECIAL SCREW,X2,A,E,F
138	LY30018-099A	SPECIAL SCREW,X2
139	LY32253-001B	BASE
140	LY43107-001A	SHAFT
141	LY43224-001A	SPACER(B)ASSY
141A	LY43221-001A	S.SHEET(S.BASE)
142	LY41701-002A	SHEET(CAUTION)1,A,E,F
	LY41701-004A	SHEET(CAUTION)1,B,C,D
143	LY42163-002B	SHEET(CAUTION)2,B,C,D
	LY42163-003A	SHEET(CAUTION)2,A,E,F
144	LY42350-002A	FOOT,X3
145	LY32254-001A	BRACKET(BOTTOM)
146	LY30018-0E4A	SPECIAL SCREW,X2,A,B,C,D,E
	LY30018-0C3A	SPECIAL SCREW,X2,F
147	LY30029-0K6A	SPACER(A)
148	LY43176-001A	SHEET(UPPER)1
149	LY43177-001A	SHEET(UPPER)2
150	LY30018-055A	SPECIAL SCREW,X2,B,C,D
	LY30018-070A	SPECIAL SCREW,X2,A,E,F
151	LY30018-055A	SPECIAL SCREW,B,C,D
	LY30018-070A	SPECIAL SCREW,A,E,F
152	LY30018-0A2A	SPECIAL SCREW,A,E,F
	LY30018-065A	SPECIAL SCREW,B,C,D
153	LY30018-055A	SPECIAL SCREW,B,C,D
	LY30018-070A	SPECIAL SCREW,A,E,F
154	LY30018-019A	SPECIAL SCREW,B,C,D
	LY30018-026A	SPECIAL SCREW,A,E,F
155	LY30018-0D5A	SPECIAL SCREW,X2,B,C,D
	LY30018-0D8A	SPECIAL SCREW,X2,A,E,F
156	LY43127-001B	STICKER(MON.)
157	LY30029-0N3A	SPACER(A)
165	LY43074-001C	BRACKET(MECHA)ASSY
165A	LY42796-001A	BUSH,X3
166	LY30019-028A	SPECIAL SCREW,X3
168	LY43190-001A	SHIELD ASSY
168A	LY42189-001A	SPACER
169	LY30018-005A	SPECIAL SCREW,X2
170	LY43083-001A	BRACKET(PRE-REC)
171	QYSPSPT1414M	SCREW
172	LY43159-001B	SHEET(SHUTTER)
173	LY32001-002A	LABEL(HOUSING)
174	LY40699-002A	LABEL(PUSH)
185	LY20756-003A	LOWER CASE,A,E,F
	LY20756-001B	LOWER CASE,B,C,D
186	LY32239-001C	BUTTON(FUNC.)
187	LY30018-065A	SPECIAL SCREW,X3
188	LY43056-001B	KNOB(FUNC.)
189	LY43114-001A	PLATE(C.C.HINGE)

△ REF No. PART No. PART NAME, DESCRIPTION

190	LY30018-081A	SPECIAL SCREW,X4
191	LY43125-001A	WINDOW(W/B)ASSY
192	LY30018-065A	SPECIAL SCREW,X2
193	LY32280-001C	BATTERY LOCK ASSY
193A	LY30029-0K9A	SPACER(A)
193B	LY30029-0N1A	SPACER(A)
193C	LY30002-038A	COMPRESSION SPRING
193D	LY30029-0M9A	SPACER(A)
194	LY30018-031A	SPECIAL SCREW,X2
195	LY31998-002A	HOT SHOE
196	QAL0336-001	FPC,AUDIO CN202-HOT SHOE
197	LY32262-001A	BRACKET(H.S),A,B,C,E,F
	LY32262-001B	BRACKET(H.S),D
198	LY30018-081A	SPECIAL SCREW,X4
199	LY30018-081A	SPECIAL SCREW,X3
200	LY30018-055A	SPECIAL SCREW,X4
201	LY30018-065A	SPECIAL SCREW
202	LY32197-001C	MICROPHONE
203	LY32247-001A	COVER(M.ADJ)
204	LY30018-065A	SPECIAL SCREW
205	LY30018-055A	SPECIAL SCREW,A,B,C,D,E
	LY30018-070A	SPECIAL SCREW,F
206	LY20760-001D	BOTTOM COVER,B,C,D
	LY20760-003C	BOTTOM COVER,A,E,F
207	LY32279-003A	COVER(SD)ASSY,D
	LY32279-002B	COVER(SD)ASSY,A,E,F
	LY32279-001C	COVER(SD)ASSY,B,C
207A	LY32242-002A	BRACKET(SD)
207B	LY43111-001A	SHAFT(SD.COVER)
207C	LY43047-001B	TORSION SPRING
208	LY30018-043B	SPECIAL SCREW,X2,A,E,F
	LY30018-081A	SPECIAL SCREW,X2,B,C,D
209	LY30029-0K5A	SPACER(A),X2
211	LY32255-001C	HOOD
212	LY43169-001B	HOLDER(SD CON)
213	LY30018-0E2A	SPECIAL SCREW,A,E,F
	LY30018-0E1A	SPECIAL SCREW,B,C,D
214	LY30018-0A2A	SPECIAL SCREW,A,E,F
	LY30018-065A	SPECIAL SCREW,B,C,D
215	LY30018-081A	SPECIAL SCREW
216	QYSPSPT1725D	SCREW
217	LY43084-001A	SHEET(B.COVER)
218	LY30018-065A	SPECIAL SCREW
219	LY43216-001A	SPACER(LOW-BOTT)
220	LY30029-0L3A	SPACER(A),X2
222	LY30018-081A	SPECIAL SCREW,X2
223	LY30018-0A3A	SPECIAL SCREW,B,C,D
	LY30018-060A	SPECIAL SCREW,A,E,F
225	LY30029-0R1A	SPACER(A),D
228	LY30029-0Q2A	SPACER(A)
230	LY20757-002A	CASSETTE COVER,A,E,F
	LY20757-001B	CASSETTE COVER,B,C,D
231	LY32244-001B	ARM ASSY(1)
232	LY30018-031A	SPECIAL SCREW
233	LY30018-081A	SPECIAL SCREW
234	LY30018-006B	SPECIAL SCREW,A,E,F
	LY30018-0E3A	SPECIAL SCREW,B,C,D
235	LY32245-001B	ARM ASSY(2)
236	LY30018-081A	SPECIAL SCREW,X2
237	LY30018-081A	SPECIAL SCREW,X2
238	LY30018-081A	SPECIAL SCREW
239	LY43113-001A	SHAFT(C.COVER),X2
△ 240	LY43149-003A	SAFETY LABEL,D
241	LY43055-001A	SHEET(C.COVER),E,F
	LY43055-001B	SHEET(C.COVER),A,B,C,D
242	LY20749-001B	OPE.COVER UNIT
243	LY30018-0A2A	SPECIAL SCREW,X4,A,E,F
	LY30018-065A	SPECIAL SCREW,X4,B,C,D
244	LY30018-081A	SPECIAL SCREW,X2,B,C,D
	LY30018-070A	SPECIAL SCREW,X2,A,E,F
245	LY30029-0L5C	SPACER(A)
246	LY43198-001B	SHEET(OPE-SD)
247	LY30029-0N8A	SPACER(A)
248	LY43200-001A	SHEET(ARM1)
249	LY43201-001A	SHEET(ARM2)
250	LY30018-006B	SPECIAL SCREW,A,E,F
	LY30018-0E3A	SPECIAL SCREW,B,C,D
252	LY43160-001A	SHEET(CCD PWB)
253	LY30029-0P6A	SPACER(A)
254	LY43075-001C	OP BRACKET ASSY
254A	LY41675-001A	RUBBER
255	LY30018-0D7A	SPECIAL SCREW
256	LY30029-0L4A	SPACER(A)

- OPTICAL BLOCK SECTION -

251	J0D-201A	OPTICAL BLOCK ASSY
251A	LY32158-001A	ZOOM MOTOR
251B	LY32157-001A	FOCUS MOTOR
251C	LY30727-006B	SCREW,X5
251D	LY30727-001A	SCREW,X2
251E	LY42983-001A	OPTICAL LPF
251F	LY42948-001B	SHEET
251G	LYH40167-001B	CCD BASE ASSY
251H	LY32162-001A	IRIS UNIT
251J	QYSPSGU1740Z	SCREW,X2